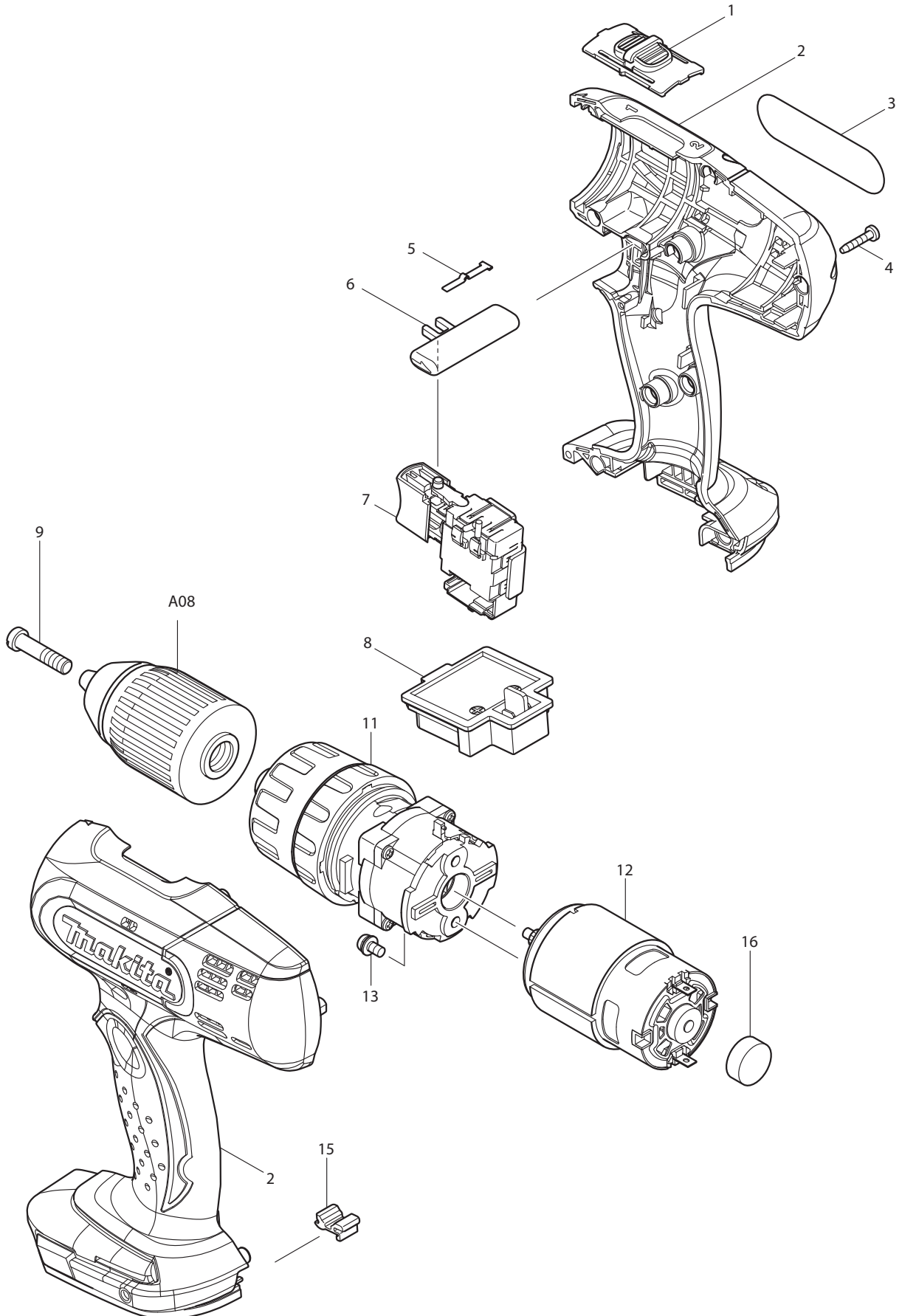




11 - 2013
DHP453SYE
18V 1/2" HAMMER DRIVER DRILL



Item No	Type	Ref	Part No	Description	Qty	Unit
1			125310-5	SPEED CHANGE LEVER ASS'Y	1	PC.
		INC.	231433-0	COMPRESSION SPRING 4	2	PC.
2			187363-2	HOUSING SET	1	SET
		INC.	263005-3	RUBBER PIN 6	2	PC.
3			815J03-9	NAME PLATE F/DHP453	1	PC.
4			266130-9	TAPPING SCREW BIND PT 3X16	9	PC.
5			232182-2	LEAF SPRING	1	PC.
6			419250-0	F/R CHANGE LEVER	1	PC.
7			632A24-0	SWITCH UNIT	1	PC.
8			643852-2	TERMINAL	1	PC.
9	1		251472-4	* - FLAT HEAD SCREW M6X26	1	PC.
	2		251468-5	* - FLAT HEAD SCREW M6X22	1	PC.
11			125485-0	GEAR ASS'Y	1	PC.
12			629834-8	DC MOTOR	1	PC.
13			911108-4	PAN HEAD SCREW M4X8	2	PC.
15			424476-1	CUSHION	1	PC.
16			421940-3	CAP	1	PC.
100			251314-2	+ SCREW M4X12 (F/HOOK)	1	PC.
D01			654281-4	RECEPTACLE	2	PC.
E01	1		803B00-9	CAUTION LABEL	1	PC.
	2		802J50-9	CAUTION LABEL	1	PC.

ACCESSORIES

- See Catalogue or visit www.makita.ca for more accessories information -

A01			784636-0	PHILLIPS/SLOTTED BIT	1	PC.
A02			-----	BATTERY CHARGER		
A03			-----	18V LI-ION BATTERY		
A04			-----	LI-ION BATTERY ACCESSORIES		
A05			158777-2	PLASTIC CARRYING CASE	1	PC.
		INC.	163455-1	METAL LATCH	2	PC.
		INC.	419360-3	HANDLE	1	PC.
A08	1		763193-1	* 1/2" KEYLESS DRILL CHUCK	1	PC.
	2		766027-7	* 1/2" KEYLESS DRILL CHUCK	1	PC.

SERVICE CHANGES

1. Changes on Drill chuck

(T/I# A6874)

Item No.	Description	Type 1	Type 2
9	FLAT HEAD SCREW M6X26 >FLAT HEAD SCREW M6X22	251472-4	251468-5
A06	KEYLESS DRILL CHUCK	763193-1	766027-7

Above parts are completely interchangeable as a set.